



5800

Applied places: apartment Hotel college To work in an office

can choose colour:



Coffee
cooper

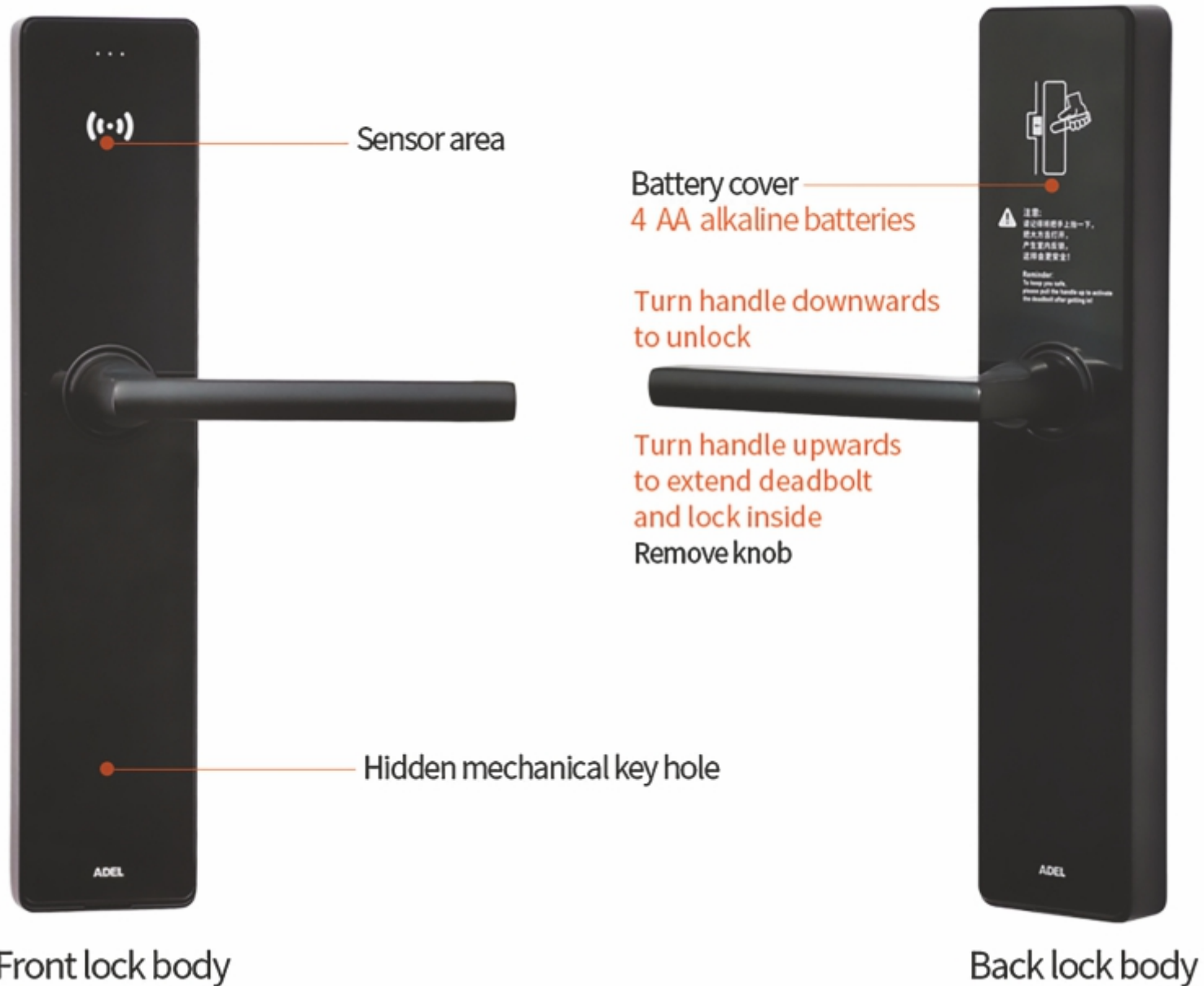


Rose
Gold

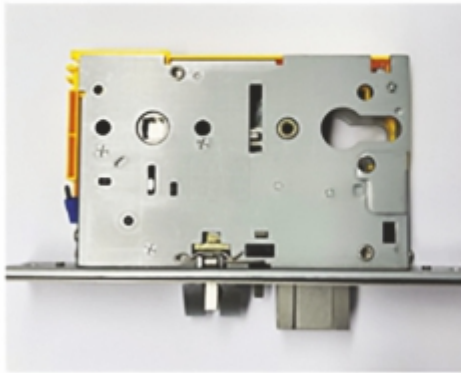
Unlocking method:



Lock appearance:



Features :



BB mortise dedicated to network lock



Card sensing area



Double plane handle design



Hidden mechanical key hole

- Double plane design style shows strong visual impact, modern and luxury
- 3D engraving machine processing
- PVD coating technology adopted, improve corrosion protection capability and service life
- Imported electronic components for PCB, fully automatic SMT process, stable and reliable quality
- Remove back knob, turn back handle downwards to unlock or upwards to extend deadbolt
- Printed with illustrating picture and tips of how to use correctly
- BB sensing mortise adopted, very convenient to replace directly
- Set all levels of privilege through software, store large capacity of unlocking records
- Fit for door thickness: 38-71mm

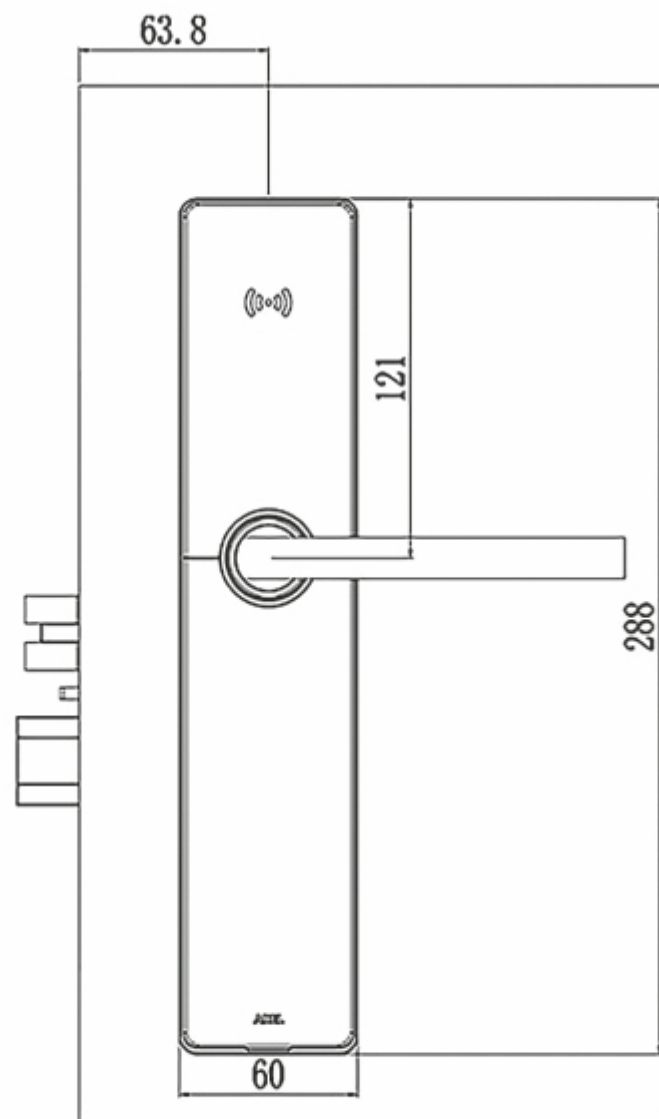
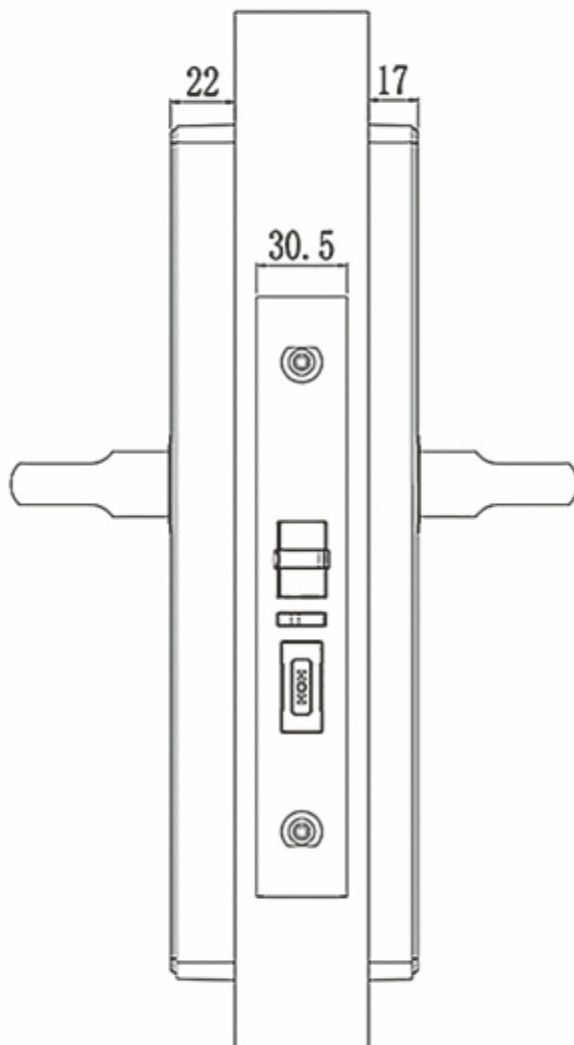
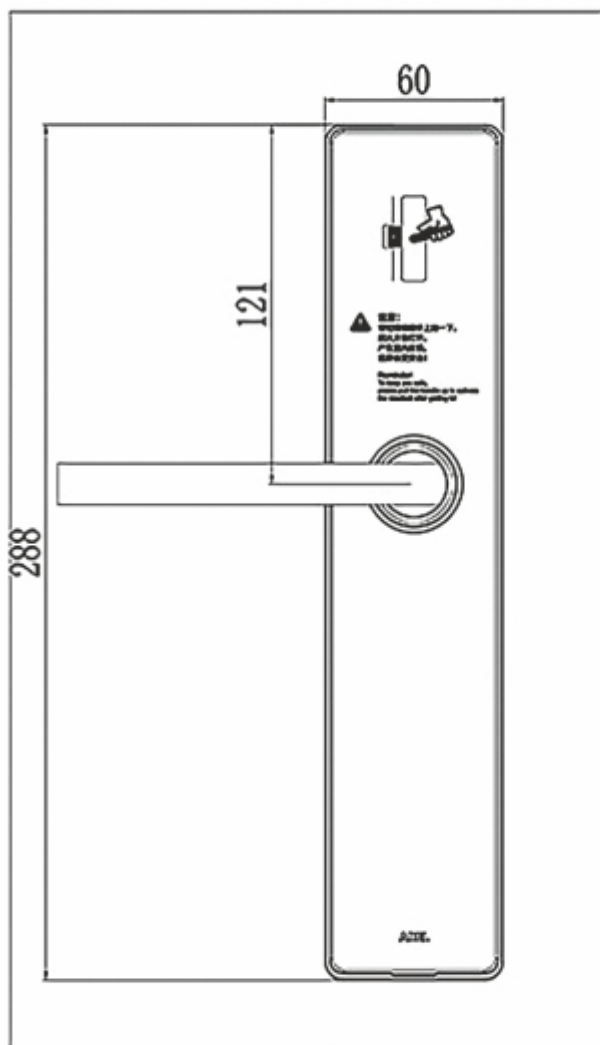
Available lock finish and dimension drawing:



Copper brown finish



Matt black finish



Technical parameters:

| | |
|------------------|--|
| Basic parameters | <p>Working voltage: DC 6V (4 AA alkaline batteries)</p> <p>Working temperature: -15°C~50°C</p> <p>Working humidity: 45-85%RH</p> <p>Static power consumption: <50uA</p> <p>Dynamic power consumption: <200mA</p> <p>Service life of batteries: 12-18 months of using based on 4 AA alkaline batteries (about 15000 times of unlocking)</p> <p>Low voltage alarm: less than 4.5V, there will be beep sound heard when unlocking and it still supports about 100 times of unlocking</p> <p>Unlocking records: latest 828 records reserved, and there is also unlocking record for mechanical key</p> <p>Mechanical key for emergency use</p> <p>Fit for door thickness: 38-71mm</p> |
|------------------|--|

