



3700

Applied places: apartment Hotel college To work in an office

can choose colour:



Coffee
cooper

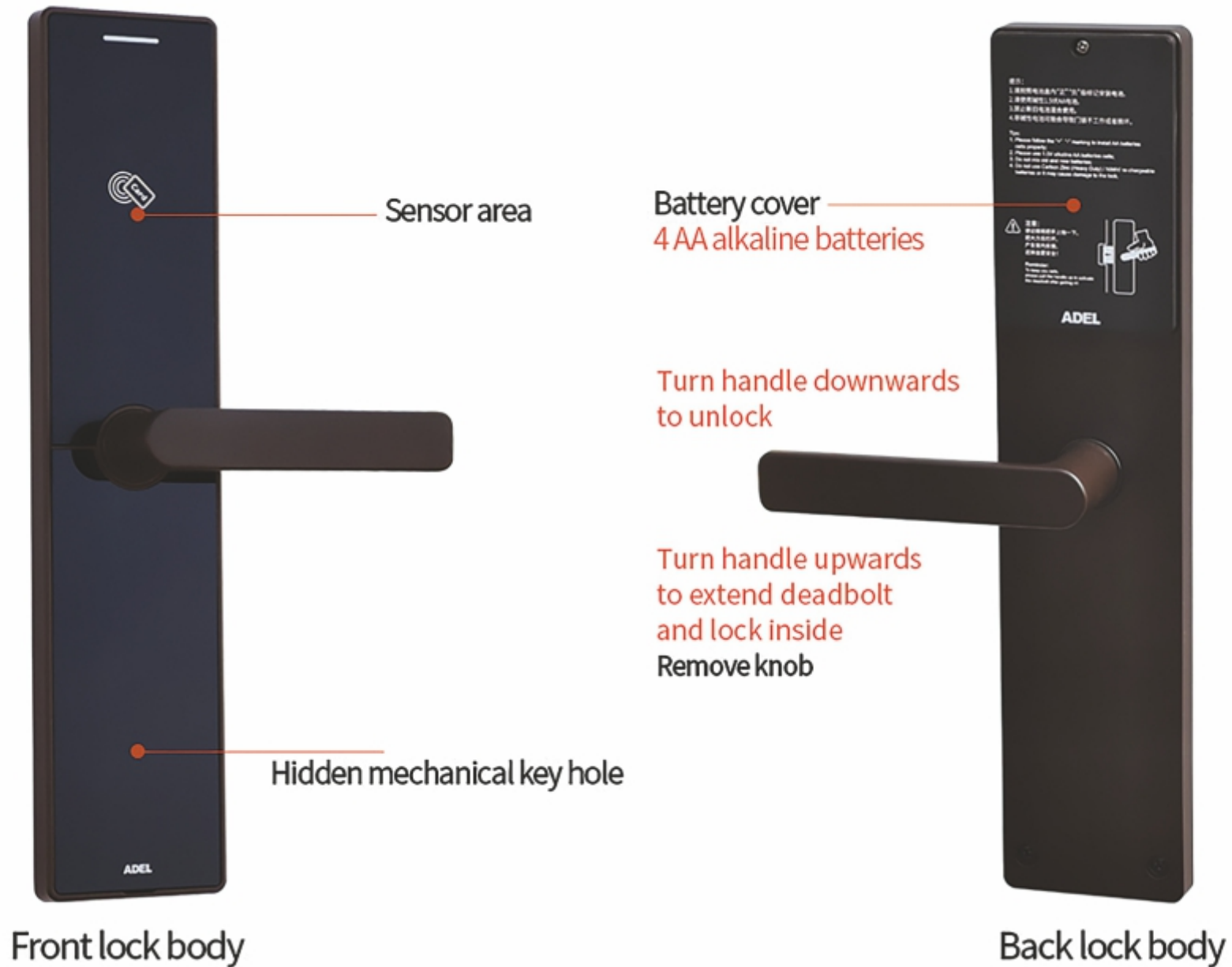


Rose
Gold

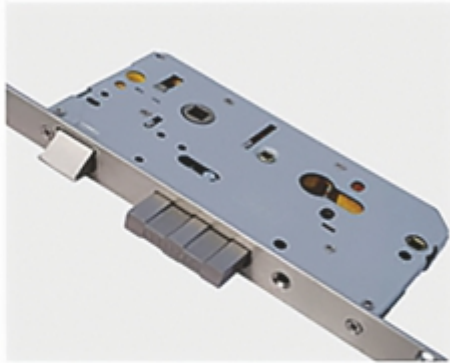
Unlocking method:



Lock appearance:



Features:



6068D sensing mortise



Card sensing area



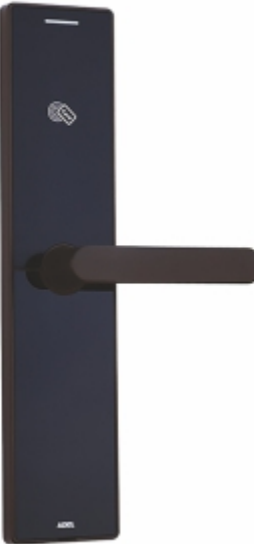
Pure black panel design



Hidden mechanical key hole

- Double plane design style, modern and luxury.
- 3D engraving machine processing.
- PVD coating technology adopted, improve corrosion protection capability and service life.
- Imported electronic components for PCB, fully automatic SMT process, stable and reliable quality.
- Remove back knob, turn back handle downwards to unlock or upwards to extend deadbolt.
- Printed with illustrating picture and tips of how to use correctly.
- 6068D sensing mortise adopted, can be installed on security doors directly and cover old holes.
- Set all levels of privilege through software, store large capacity of unlocking records.
- Fit for door thickness: 38-71mm.

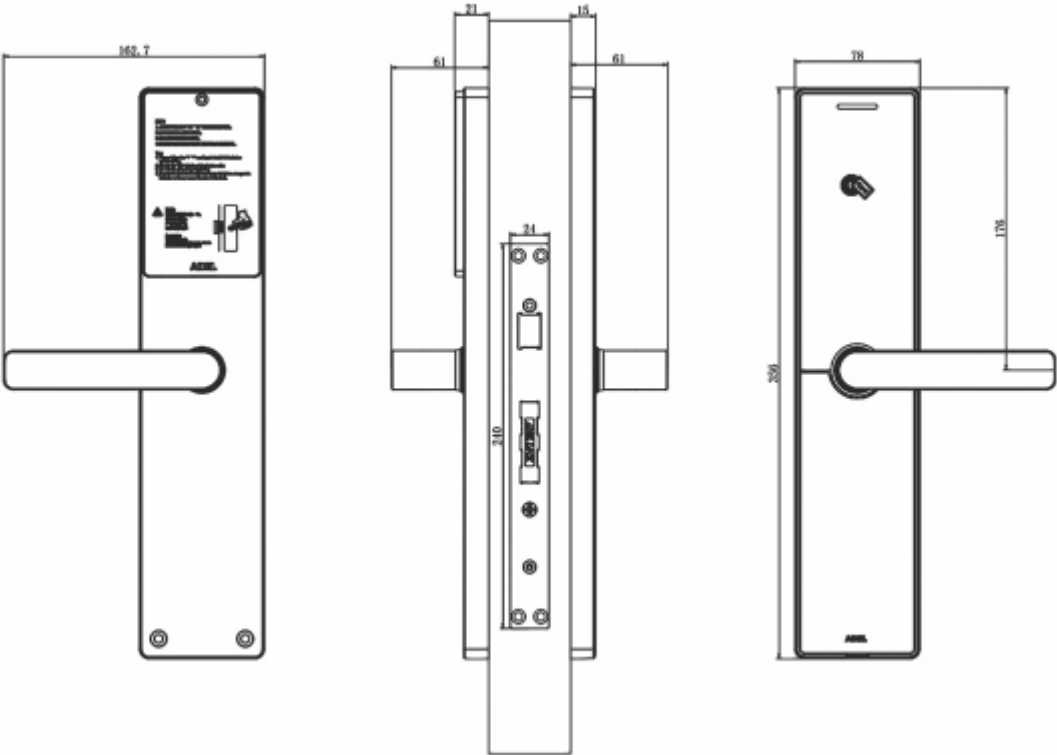
Available lock finish and dimension drawing:

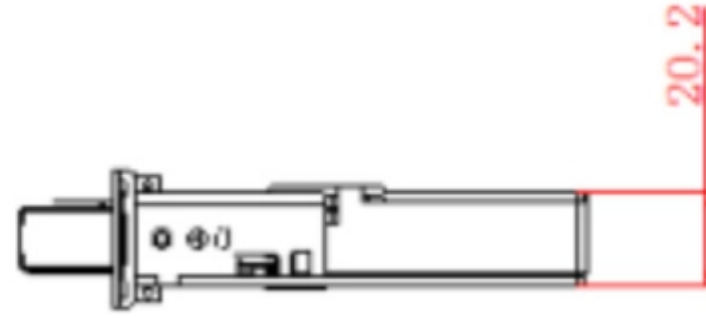
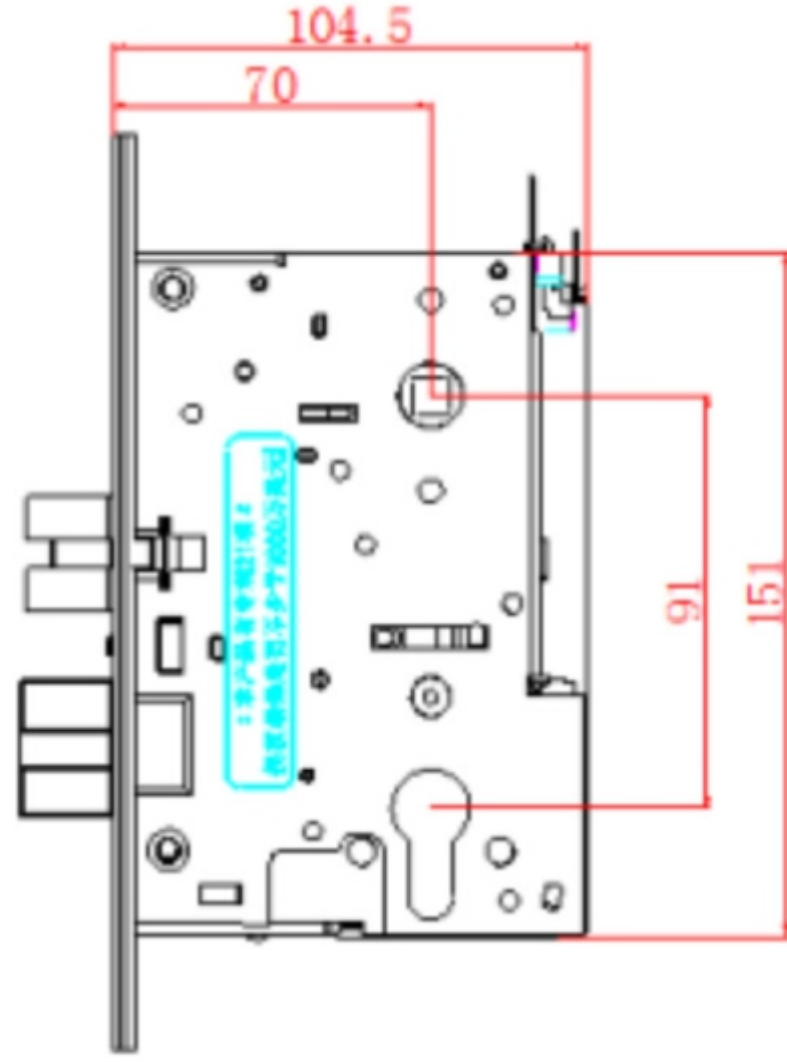
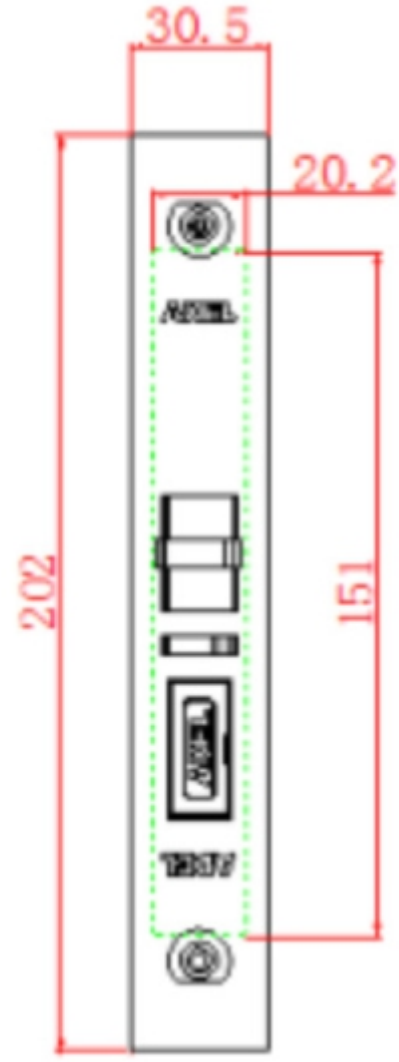


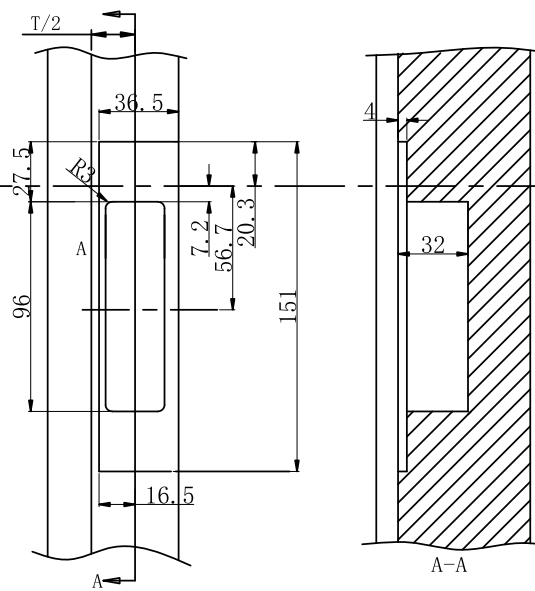
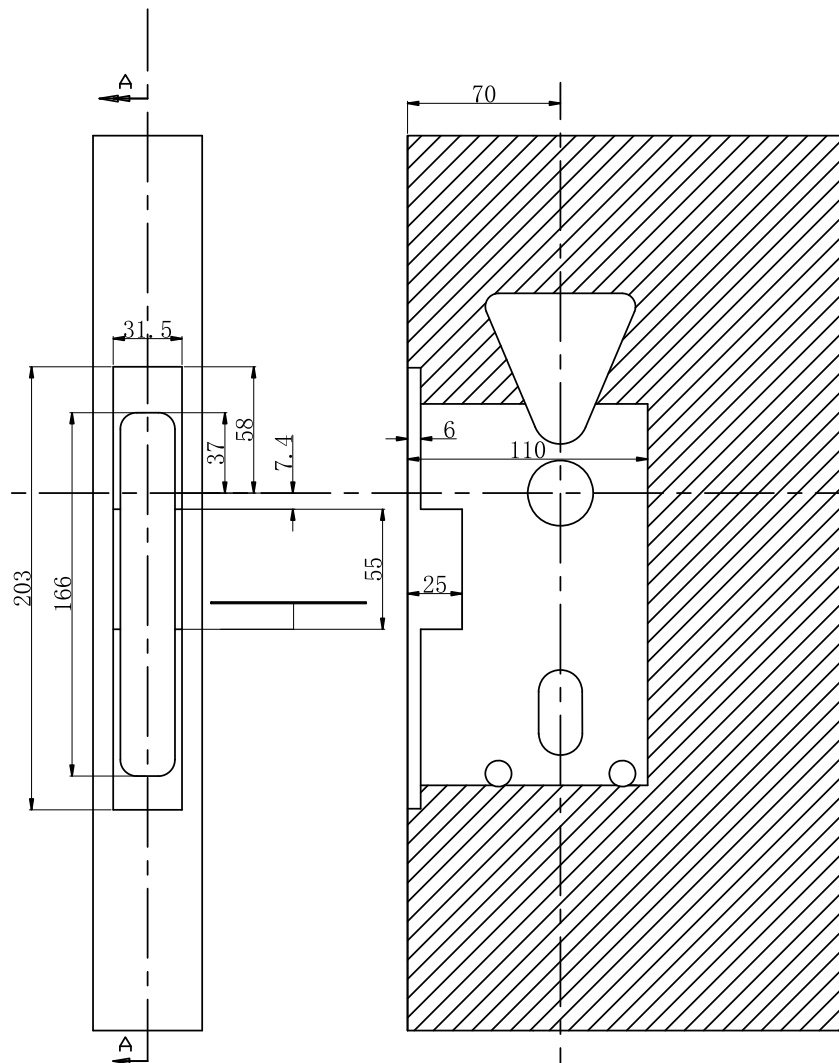
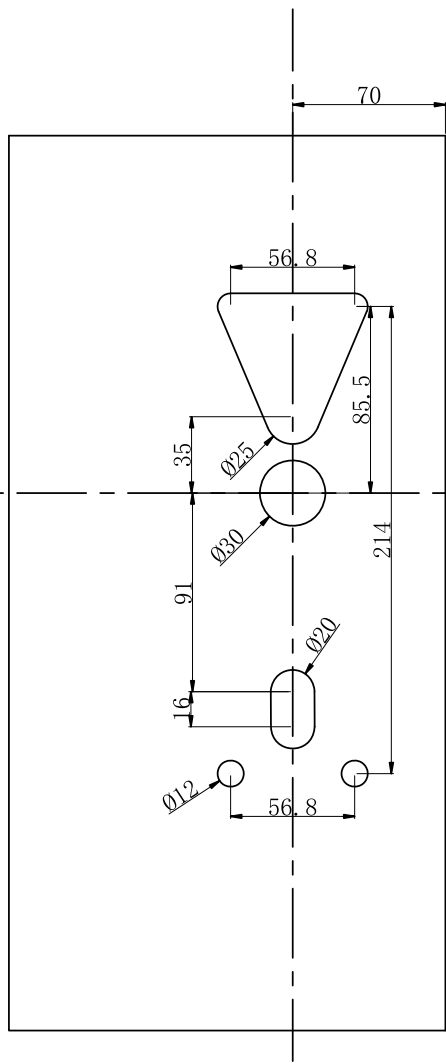
Copper brown finish



Matt black finish







Technical parameters :

Basic parameters	<p>Working voltage: DC 6V (4 AA alkaline batteries)</p> <p>Working temperature: -15°C~50°C</p> <p>Working humidity: 45-85%RH</p> <p>Static power consumption: <50uA</p> <p>Dynamic power consumption: <200mA</p> <p>Service life of batteries: 12-18 months of using based on 4 AA alkaline batteries (about 15000 times of unlocking)</p> <p>Low voltage alarm: less than 4.5V, there will be beep sound heard when unlocking and it still supports about 100 times of unlocking</p> <p>Unlocking records: latest 828 records reserved, and there is also unlocking record for mechanical key</p> <p>Mechanical key for emergency use</p> <p>Fit for door thickness: 38-71mm</p>
------------------	--