



AH9

Applied places: apartment Hotel college To work in an office

can choose colour:



Stainlee
steel
brushed



Coffee
cooper



Titanium
gold



Rose
Gold



3D
bright
dark

Unlocking method:



Lock appearance:



Sensor area



Front lock body



Security deadbolt to lock inside

Back lock body

Available lock finish:



PVD gold finish

Titanium black finish

Polished chrome finish

Matt black finish

Copper brown finish

Stainless steel finish

Features:



US standard mortise A

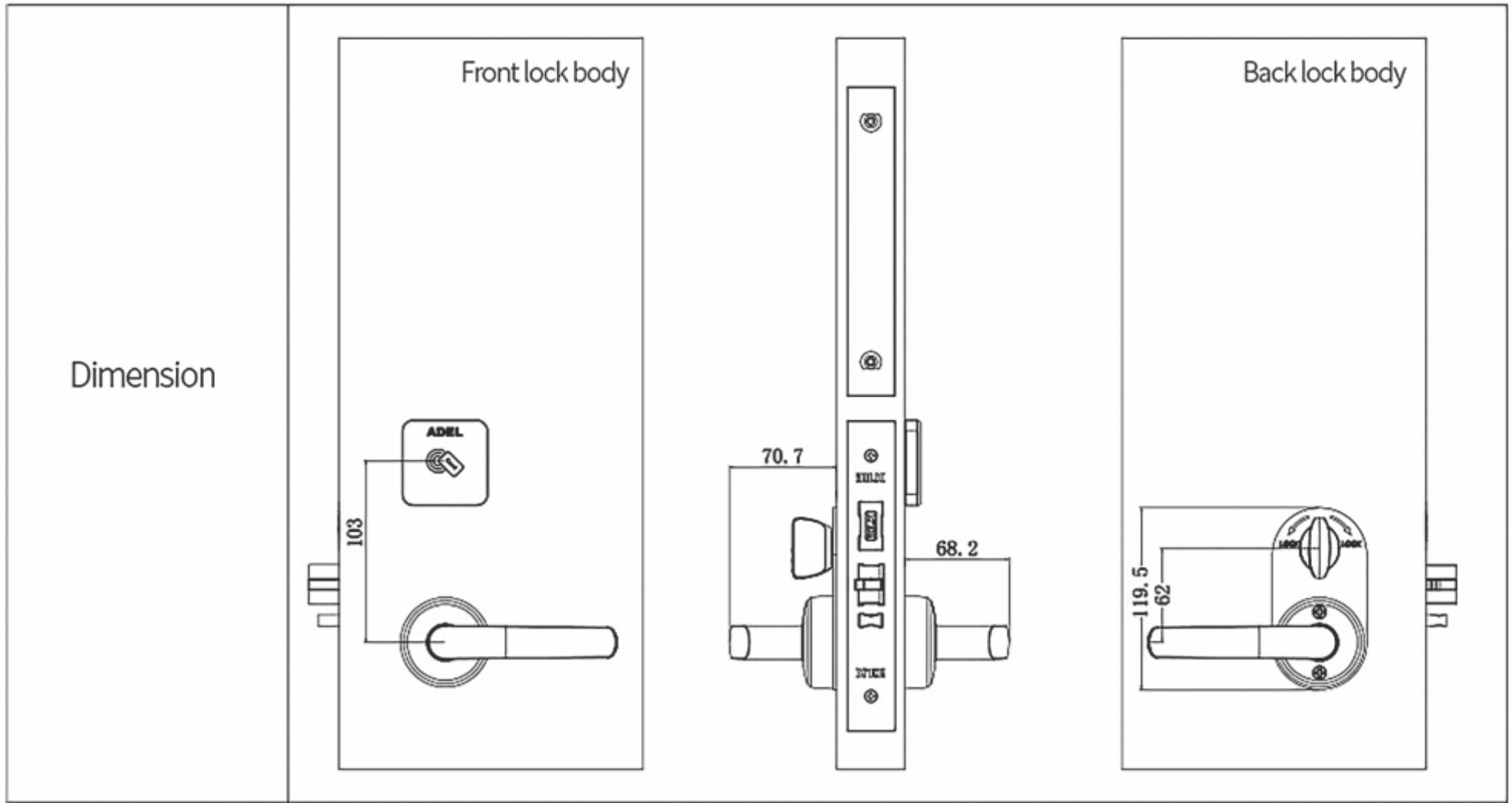
Square planar sensing area

Ergonomic mechanics design

Security deadbolt to lock inside

- Hidden lock design, elegant and noble.
- Square planar design style, more sensitive to read card after adding inductive antenna PCB to the reader.
- Double layer composite lock structure, strong and durable.
- PVD coating technology adopted, improve corrosion protection capability and service life.
- US standard mortise A adopted, stable and reliable.
- Set all levels of privilege through software, store large capacity of unlocking records.
- Imported electronic components for PCB, fully automatic SMT process, stable and reliable quality.
- Fit for door thickness: 38-71mm.

Technical parameters:



Basic parameters

Working voltage: DC 6V (4 AA alkaline batteries)

Working temperature: -15°C~50°C

Working humidity: 45-85%RH

Static power consumption: <50uA

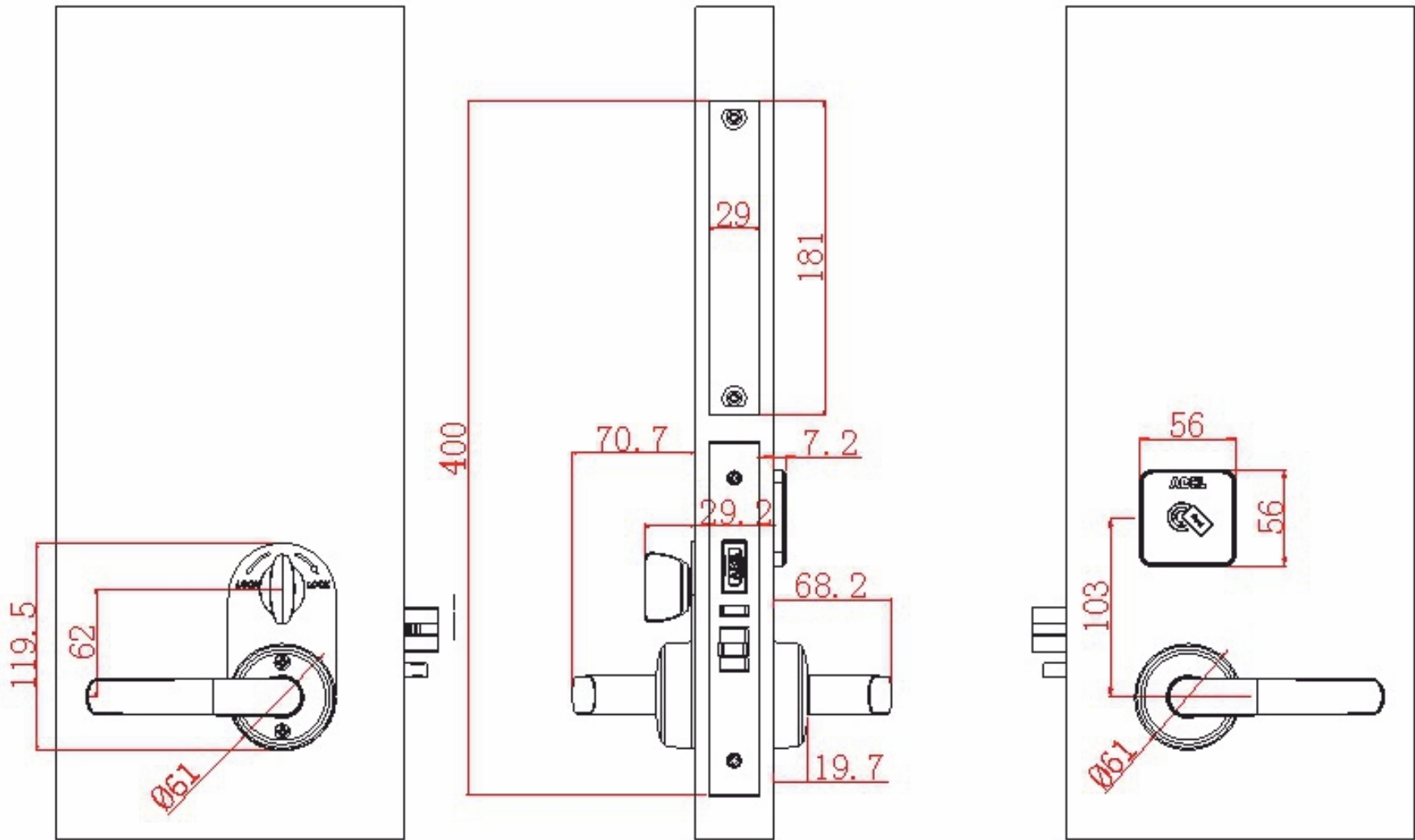
Dynamic power consumption: <200mA

Service life of batteries: 12-18 months of using based on 4 AA alkaline batteries
(about 15000 times of unlocking)

Low voltage alarm: less than 4.5V, there will be beep sound heard when unlocking
and it still supports about 100 times of unlocking

Unlocking records: latest 828 records reserved, and there is also unlocking record
for mechanical key

Fit for door thickness: 38-71mm

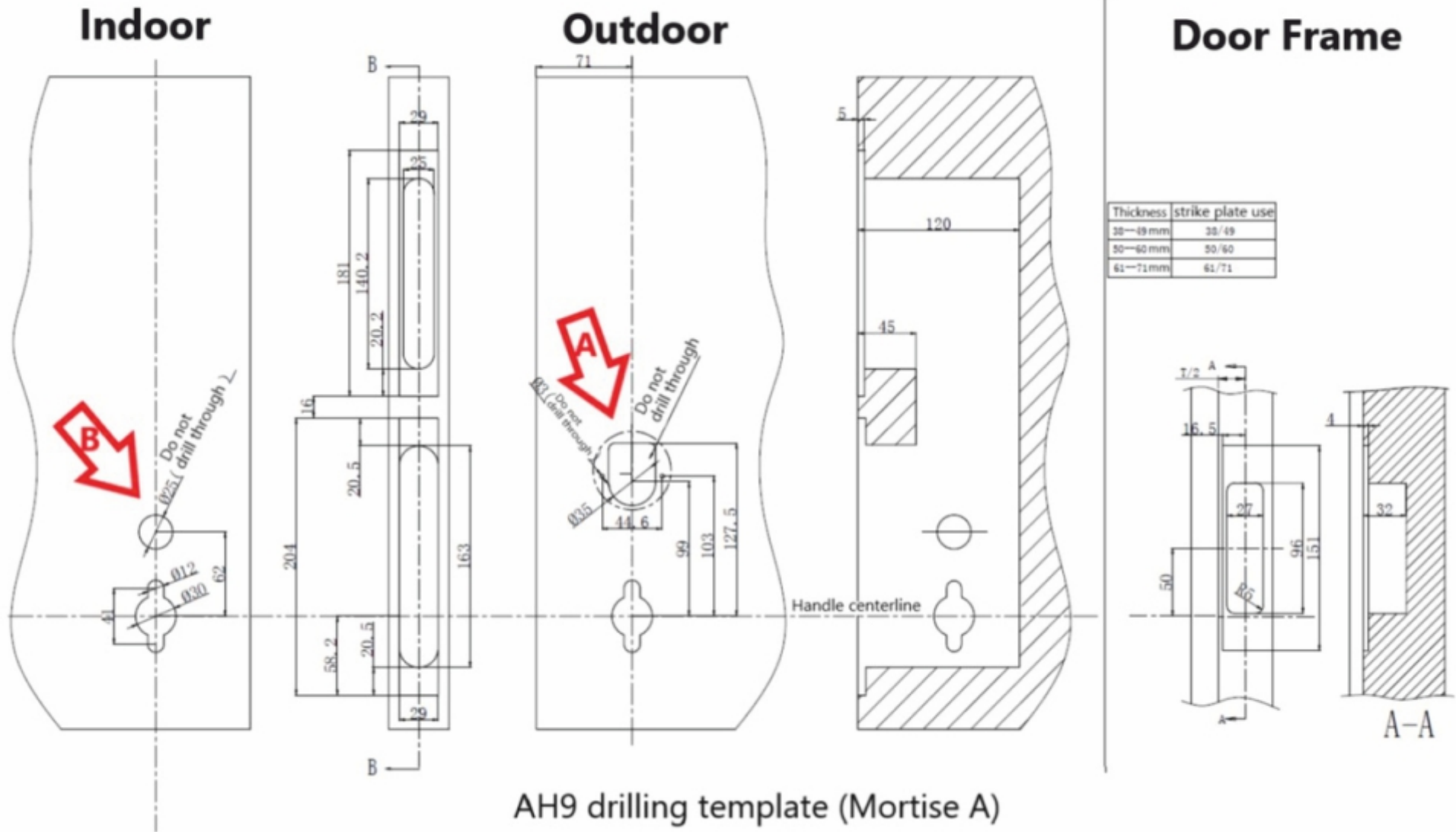


AH9 (Mortise A)

***Reminder:

Please do **NOT** drill through those two holes as there is no cover on the other side of door.

Hole A is for cabling, Hole B is for the thumbturn spindle



Mortise A

