



## Classic (1800RF) double cover hotel lock

Applied places: Hotel college To work in an office

can choose colour:



Stainlee  
steel  
brushed



Coffee  
cooper



Titanium  
gold



Nickle  
brushed



Mirror  
polished  
chrome

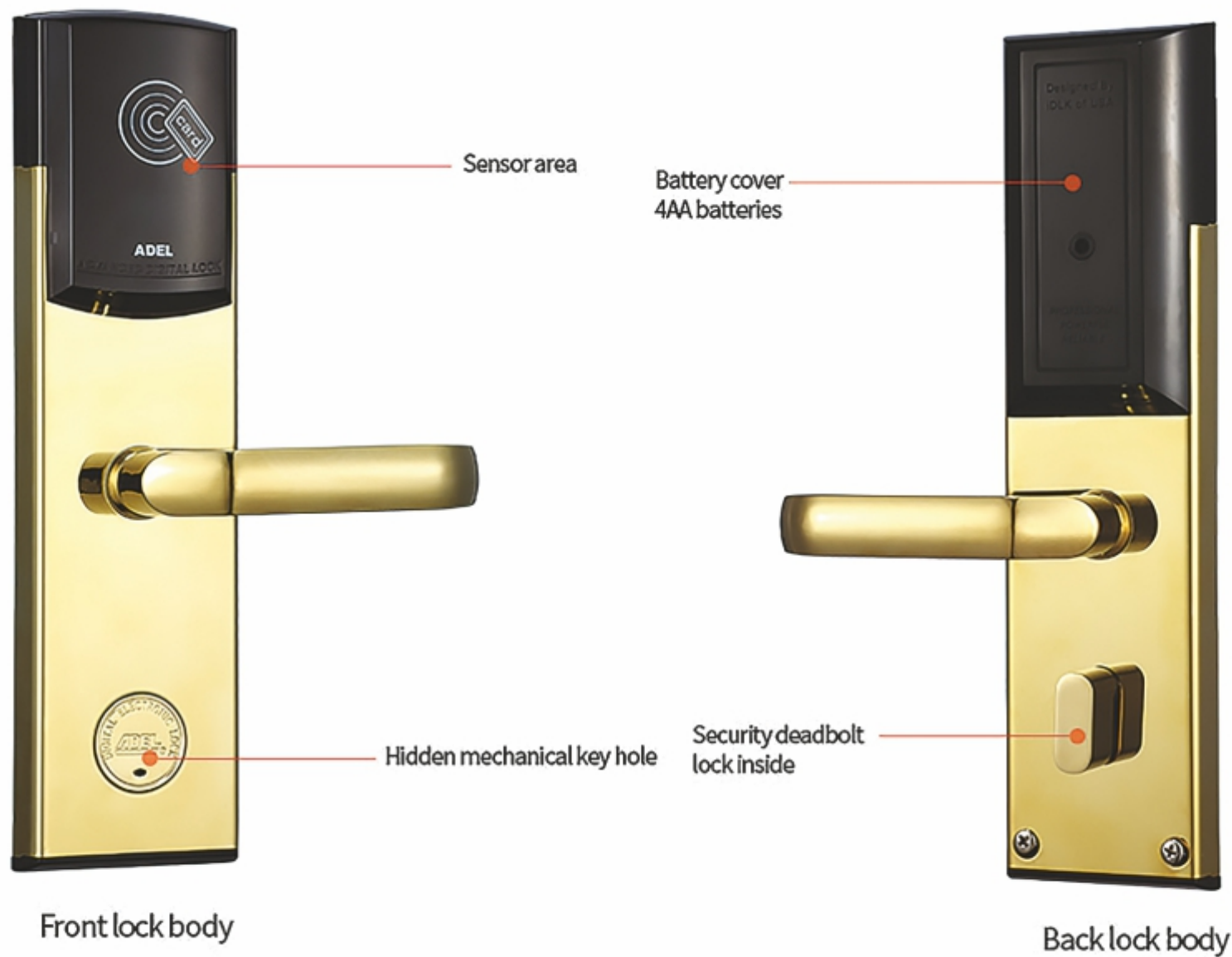


3D  
bright  
dark

Unlocking method:



# Lock appearance:



## Available lock finish:



Satin gold finish



Titanium black finish



Copper brown finish



Polished chrome finish



PVD gold finish



Stainless steel finish



Red bronze finish



Rose gold finish

## Features:



US standard mortise B

Card sensing area

Ergonomic mechanics design

Hidden mechanical key hole

- Double layer composite lock structure, strong and durable
- Set all levels of privilege through software, store large capacity of unlocking records
- Unlocking with RF card and mechanical key for emergency use, power saving design with low voltage alarm function
- Using American standard B lock core, with anti-plug oblique tongue alarm function, combined with combined oblique tongue abnormal alarm design, double guarantee, double safety;
- Anti-pick function add in
- Imported electronic components for PCB, fully automatic SMT process, and PVD coating technology adopted
- Fit for door thickness: 38-71mm

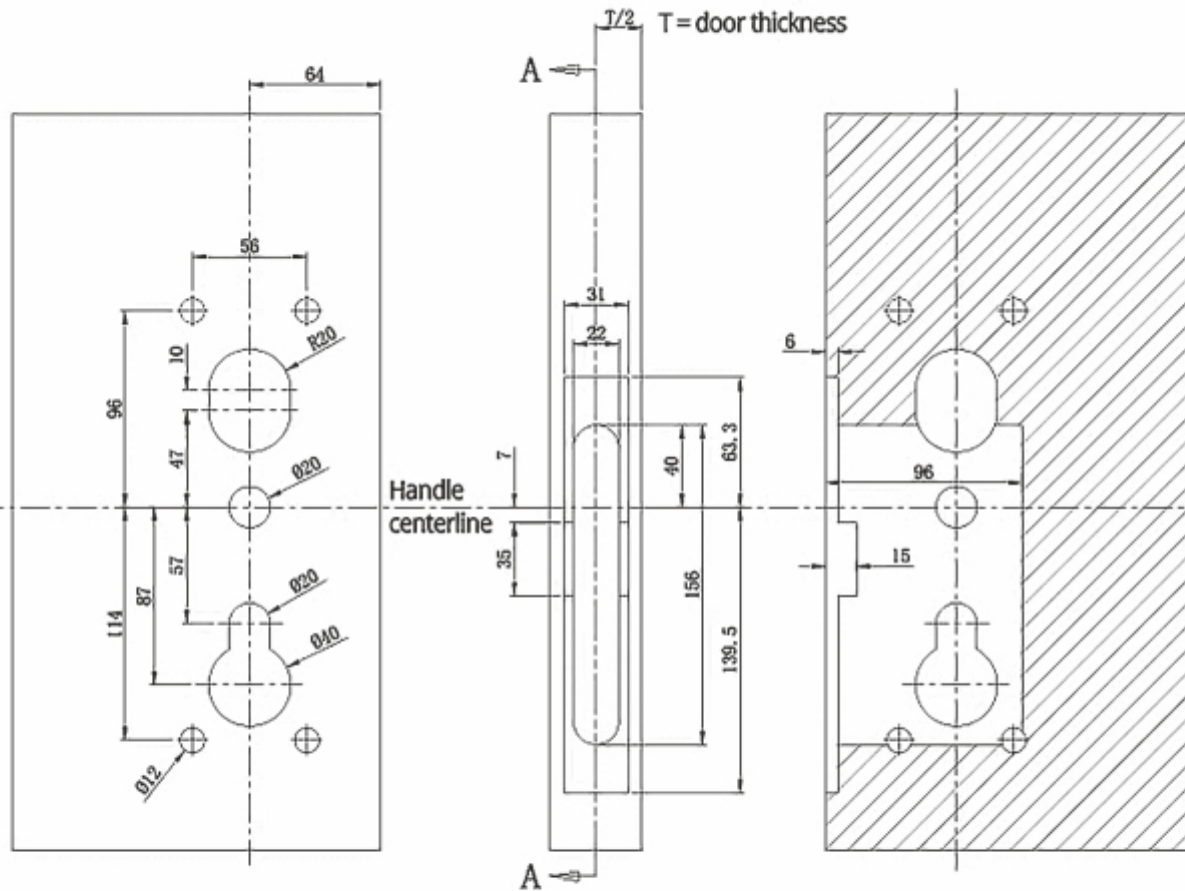
## Technical parameters:

Basic parameters	<p>Working voltage: DC6V (4AA batteries)</p> <p>Working temperature: -15°C~50°C</p> <p>Working humidity: 45-85%RH</p> <p>Static power consumption: &lt;50μA</p> <p>Dynamic power consumption: &lt;200mA</p> <p>Service life of battery: 12-18 months of using based on 4 AA batteries (about 15000 times of unlocking)</p> <p>Low voltage alarm: less than 4.5V, there will be beep sound heard when unlocking and it still supports about 100 times of unlocking</p> <p>Unlocking records: latest 828 records reserved, and there is also unlocking record for mechanical key</p> <p>Mechanical key for emergency use</p> <p>Fit for door thickness: 38-71mm</p>
------------------	--



# Drilling diagram: Mortise B

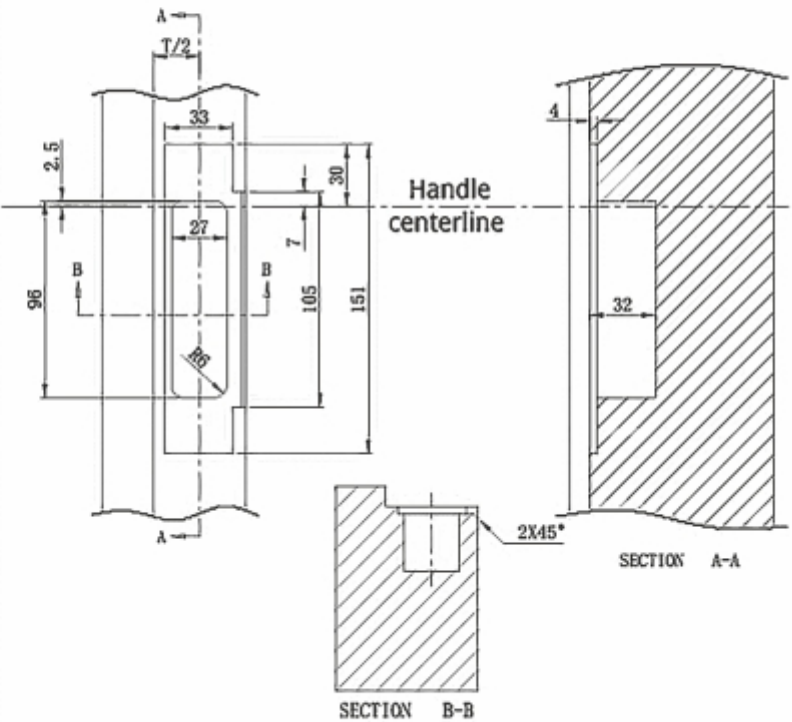
Hole opening drawing



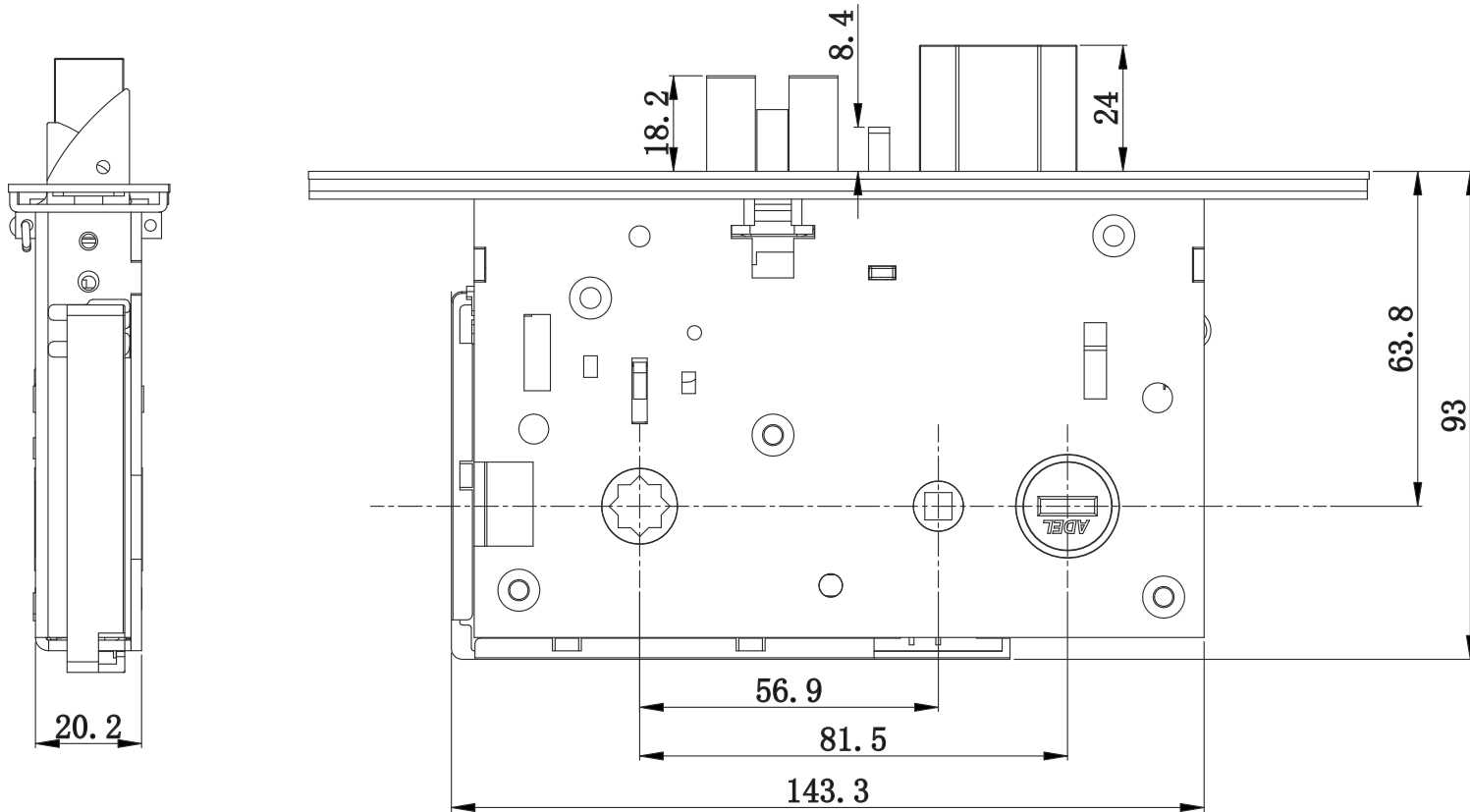
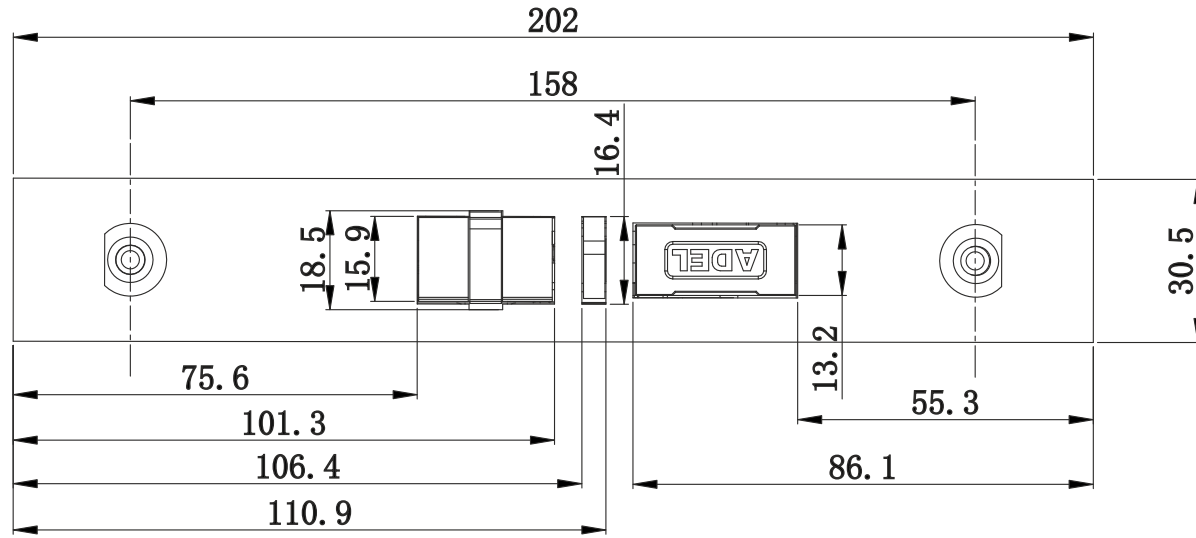
Door frame opening diagram

The relationship between the selection of strike plate and the thickness of the door frame:

Door frame thickness	Selected strike plate model
38-49	Curved strike plate38/49
50-60	Curved strike plate50-60
61-71	Curved strike plate61/71



# Mortise B



# Drilling diagram: Mortise thin B

